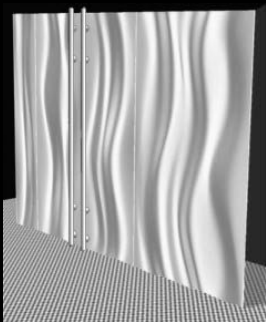




CREATIVE TEKNOLOGIES CORPORATION



**COMPLETE
TURN-KEY
PROVIDER**

- **ENGINEERING**
- **CUSTOM FABRICATION**
- **INSTALLATION**

*SELECT WINDOW / FULL
SCREEN MODE (Ctrl+L)*





DESIGN - BUILD - INSTALLATION

CASE STUDIES

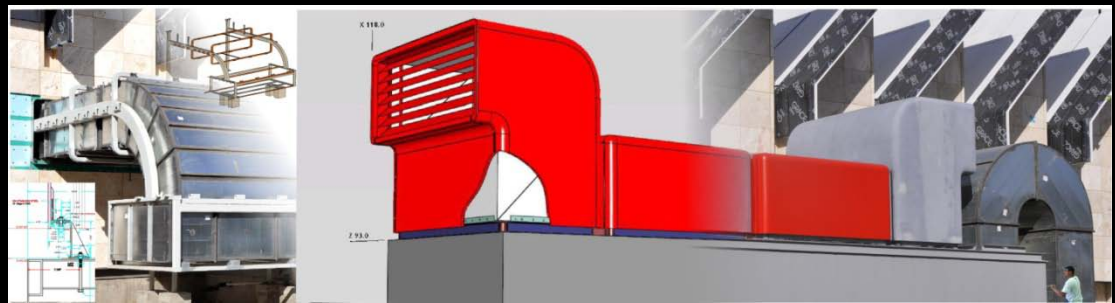
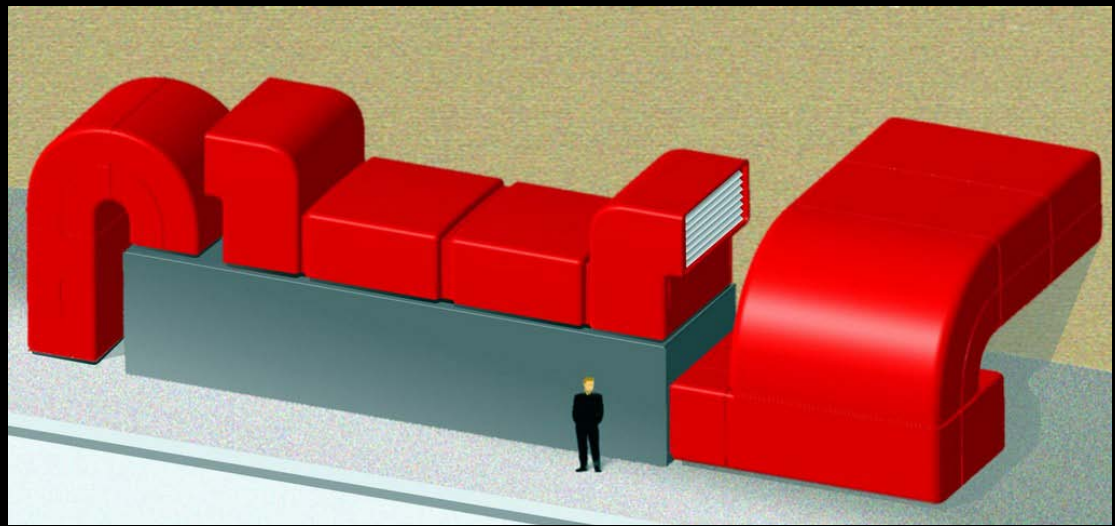
SELECT WINDOW / FULL
SCREEN MODE (Ctrl+L)

LEFT CLICK-RIGHT CLICK



LACMA Project

- **Location:**
Los Angeles County
Museum of Art
- **Architect:**
Renzo Piano
- **Project Scope:**
Turn-key, Design,
Build, Installation
- **Overview:**
Develop cladding
surface data from
architect's concept,
engineer structural
steel support structures,
fabrication of FRP
cladding and connection
details, shop drawings
submittals, and installation.



Engineer

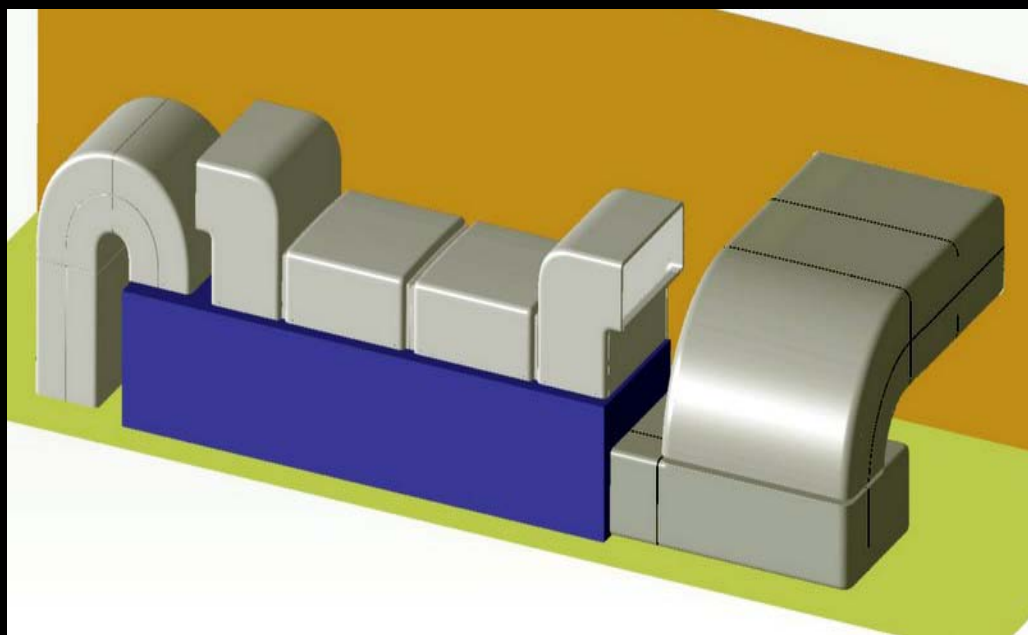
Manufacture

Install

LEFT CLICK-RIGHT CLICK



LACMA: Engineering



Final Class A surface data

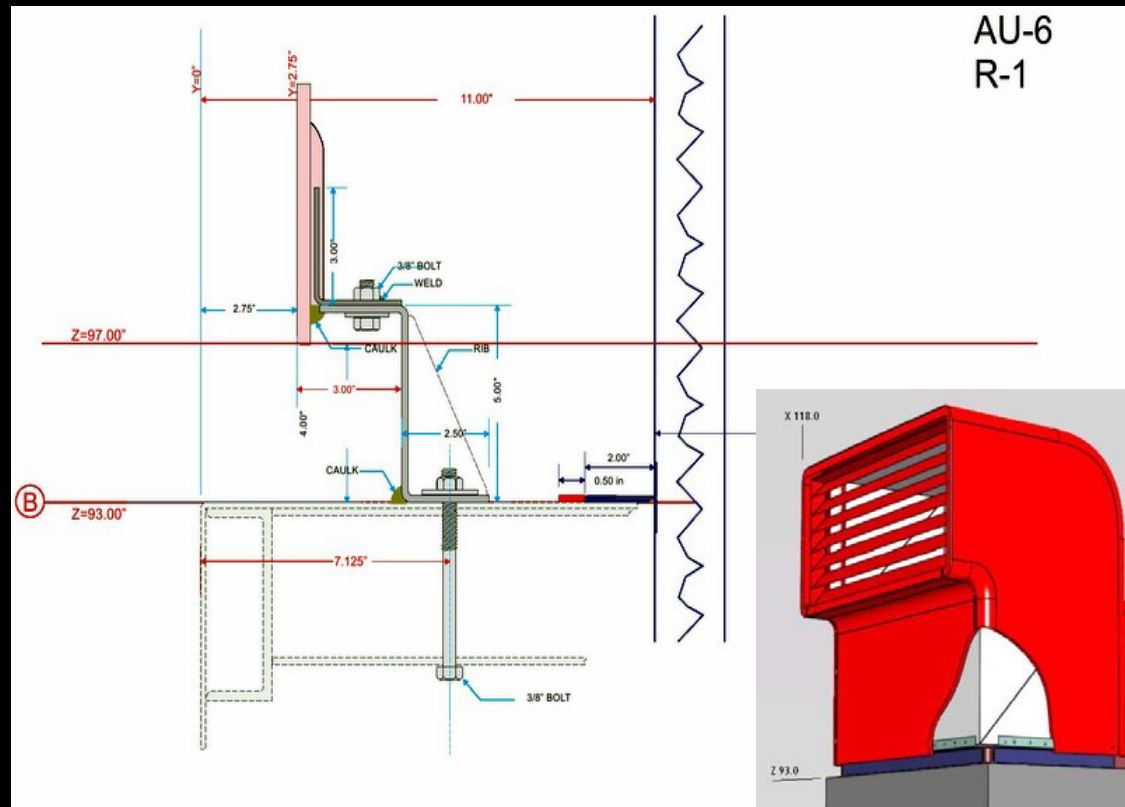


LEFT CLICK-RIGHT CLICK

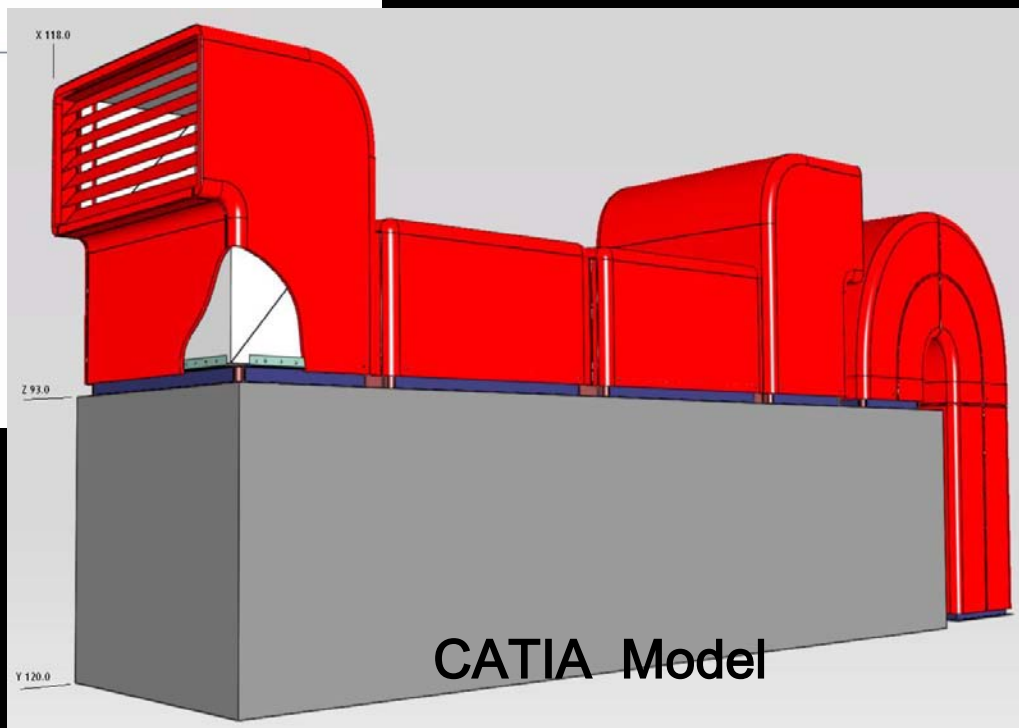


LACMA: Engineering

AU-6
R-1



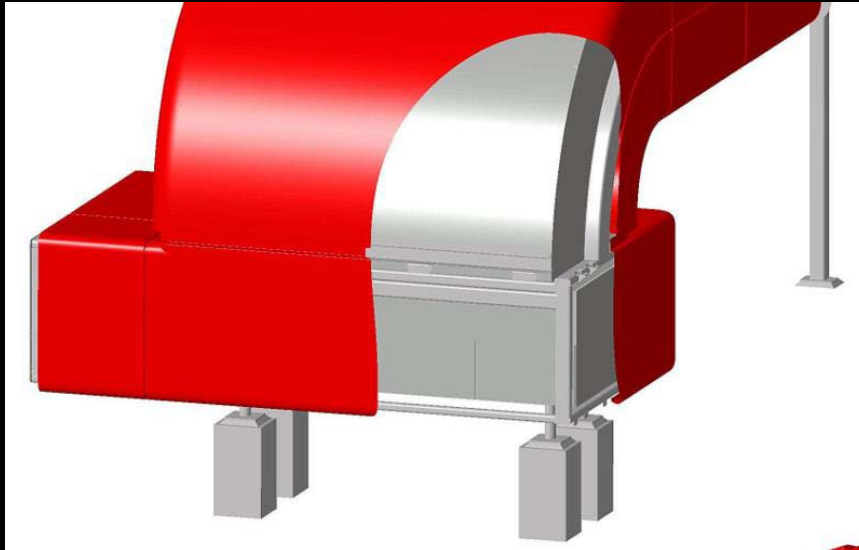
Shop Drawing



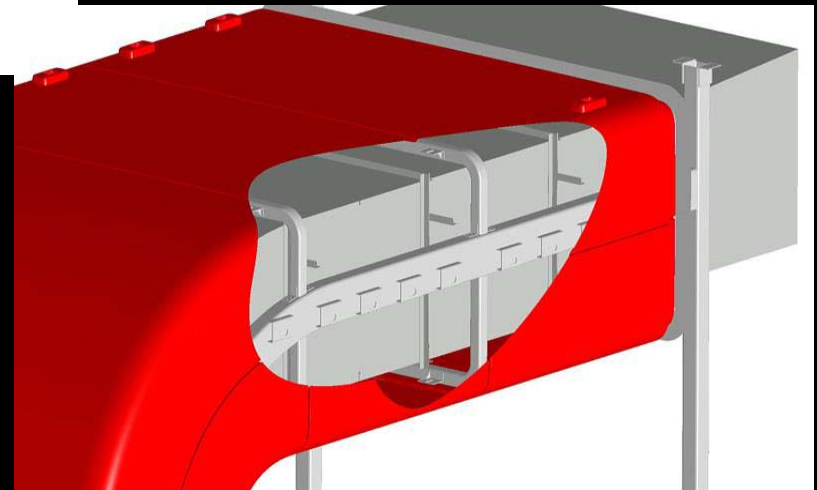
LEFT CLICK-RIGHT CLICK



LACMA: Engineering



Structural Frame with hidden fasteners supporting duct cladding



LEFT CLICK-RIGHT CLICK



LACMA: 5-axis machining



5-axis CAM mill machines large tooling master patterns for forming female epoxy molds.



Precision Master Tooling



LEFT CLICK-RIGHT CLICK



LACMA Fabrication

FRP components formed from female epoxy molds and assembled .



Structural FRP fire-rated cladding



LEFT CLICK-RIGHT CLICK



LACMA Assembly- Transit



Pre-assembly of modules



Transporting modular sections of cladding to site



LEFT CLICK-RIGHT CLICK



LACMA: Installation



Modular components assembled to CTC base frame mounted on air handler unit installed by AC contractor.



Los Angeles Construction Site



LEFT CLICK-RIGHT CLICK

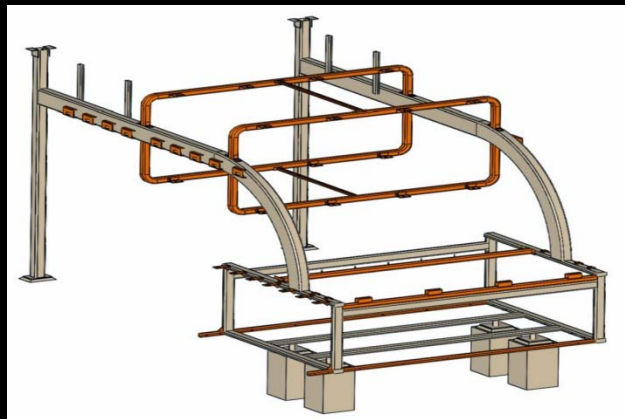




LACMA Installation



Structural Steel Frame

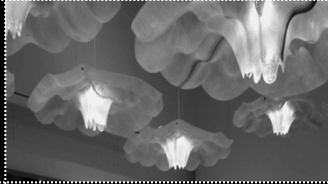
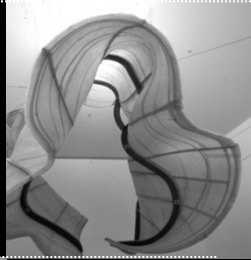


Close collaboration between GC, HVAC and CTC with architect was key to successful completion.



LEFT CLICK-RIGHT CLICK





sales@creativetehnologies.com

949 770 3032

LEFT CLICK-RIGHT CLICK

